

October 1 2008



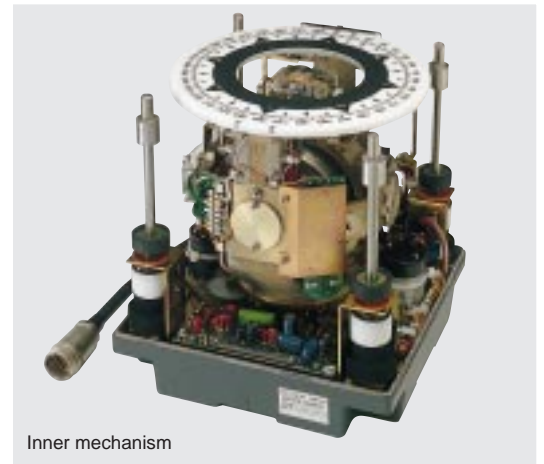
The company name
was changed to
TOKYO KEIKI INC.

2-16-46, Minami-Kamata, Ohta-Ku,
Tokyo 144-8551, JAPAN
TEL.+81-3-3732-2111
FAX.+81-3-3736-0261
<http://www.tokyo-keiki.co.jp/>

Small Gyrocompass GM-20/21

Now, thanks to the employment of state-of-the-art TOKIMEC technology, even operators of small commercial vessels and fishing boats can enjoy the advantages of a gyrocompass for heading reference-and do so at reasonable cost. Of course, as the specially designed GM-20/21 gives gyrocompass benefits, it also eliminates the inconveniences associated with conventional magnetic compasses.

The GM-20/21 features a synchro output, which can be used to drive the companion TOKIMEC PR-1500 Steering Control for decidedly low cost autopilot steering. There's also an automatic preset startup feature with a 24-hour range, so the GM-20/21 can be made all ready to go for the next trip. In addition, if a synchro amplifier is used with the GM-21, up to three repeater compasses can be connected. The GM-20/21 is comprised of a master compass, which is normally mounted on top of the static inverter. If available space is limited, the static inverter can be remotely located on the bulkhead.



Inner mechanism



Synchro amplifier

FEATURES

Compact Design

The GM-20/21 measures only 228 x 321 x 377 mm, so it can be easily installed on fishing boats and other small commercial vessels.

Low Power Consumption

Power consumption is only 50 VA (for master compass).

Ease Of Operation

Direct Reading And Synchro Output

Direct reading simplifies use considerably, and synchro output provides for low-cost autopilot steering.

Three Repeater Compass Circuits

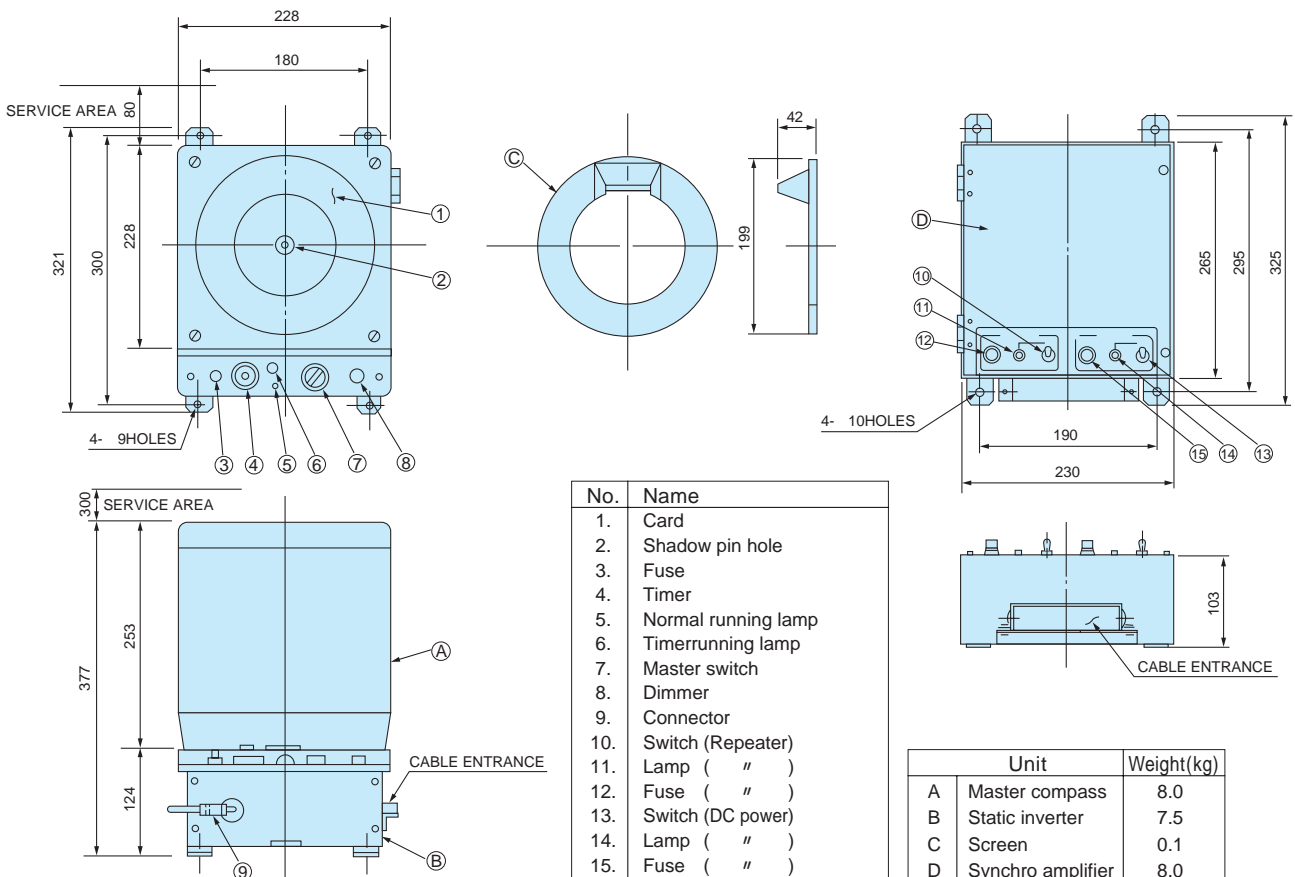
Automatic Preset Startup

A 24-hour timer permits automatic startup.

SPECIFICATIONS

Power Supply	AC 100/110, 1 , 50/60 Hz, 60 VA (for repeater compass) DC 24 V, 2 A (with only master compass running)
Voltage Fluctuation	± 20%
Ambient Temperature	+ 50 - 20
North-seeking	
Accuracy	Within ± 2°
Follow-up Accuracy	Within ± 0.1°
Setting Time	Less than 4 hours
Mechanical Freedom	± 45°
Maximum Turning	
Follow Up Speed	Turning ratio of 10 sec/rev
Repeater	90 x synchro motor (3 circuits)

Specifications are subject to change without notice.



If the bottom power supply unit is separated, the device can be mounted on a wall(separate type).

Design and specifications are subject to change without prior notice, and without any obligation on the part of the manufactures.

CAUTION

Before operating this equipment, you should first thoroughly read the operation manual.

TOKIMEC

TOKIMEC INC.

Control Division

Head Office

TOKIMEC U.S.A., INC.

2-16-46, Minami-Kamata, Ohta-ku, Tokyo 144-8551, JAPAN

Phone 81-3-3737-8631 Fax 81-3-3737-8666

445 South Figueroa St., Suite 3770

Los Angeles, California 90071 U.S.A.

Phone 1-213-689-4747 Fax 1-213-689-0303

www.tokimec.co.jp/marine/